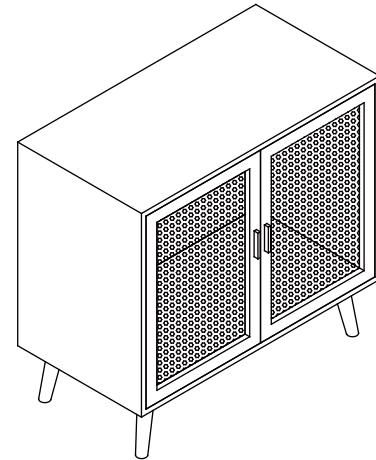


## WARRANTY

We strive to offer high-quality products, and we also try our best to satisfy each and every customer that orders from us with product or service as needed. We provide 30 days warranty starting from the time you receive the item. Each customer must provide a record of their order such as the order number, or item receipt for any items that are out of the warranty period you may also still receive replacement parts by purchasing them with our company if they are available.

**Appreciated your purchasing from us.  
Pop up your life by our furniture piece!**



**ITEM NO. HSCCL0138**

---

### NOTE:

This brochure contains IMPORTANT safty info. Please read and keep for future reference.

---

# MAINTAINANCE AND WARNING

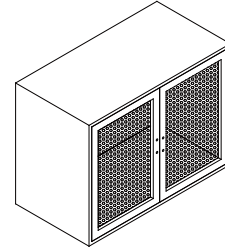
- Keep furniture away from heat.
- Do not clean furniture with harsh cleansers or polish. Do not use detergents, Solvents, abrasives, spray packs or leather cleaner. Use non-color mild soap with warm water clean spills(Mix 1:10 soap to water)
- Do not place furniture under direct sunlight, material will possibly fade over time.
- Do not use on site dry Cleaning machine.
- Children should not climb or jump on the furniture.
- Do not write on furniture without a padded barrier to protect the surface.
- Not for commercial use, For residential use only.



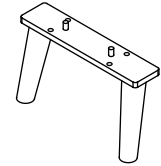
Weight Limitation

**110LBS**

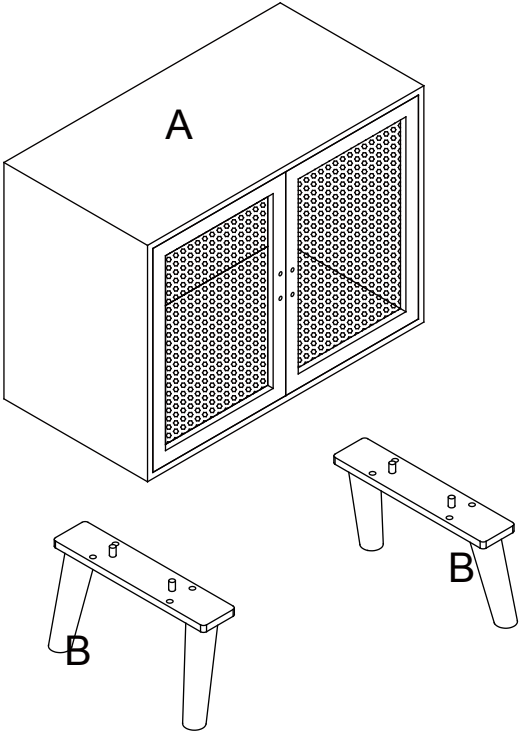
# PARTS LIST



CABINET  
Ax1



LEG  
Bx2



OVERVIEW

# HARDWARE LIST



M4\*26mm  
① x 8



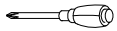
② x 4



③ x 4



④ x 2

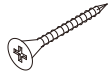


⑤ x 1



⑥ x 1

# SPARE



M4\*26mm  
① x 1



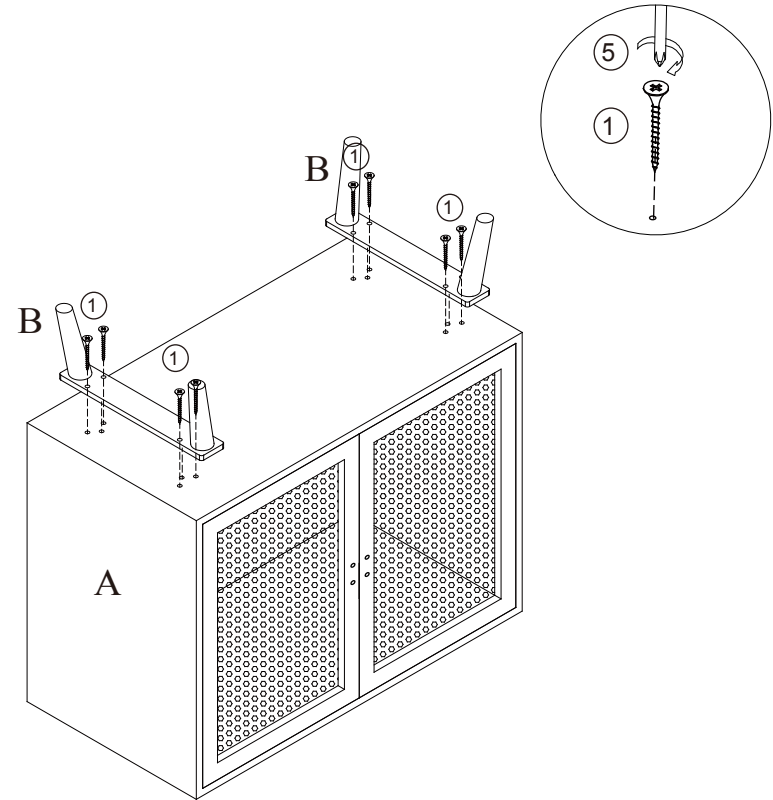
② x 1



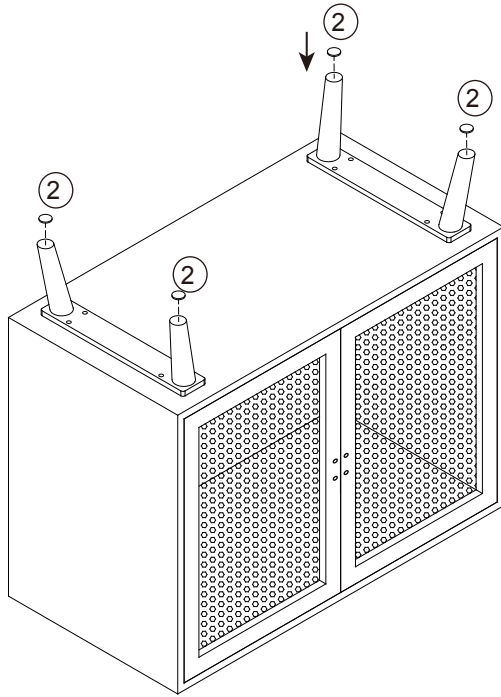
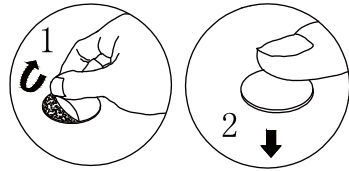
③ x 1

Be sure to check all packing material carefully for small parts, which may have come loose inside the carton during shipment.

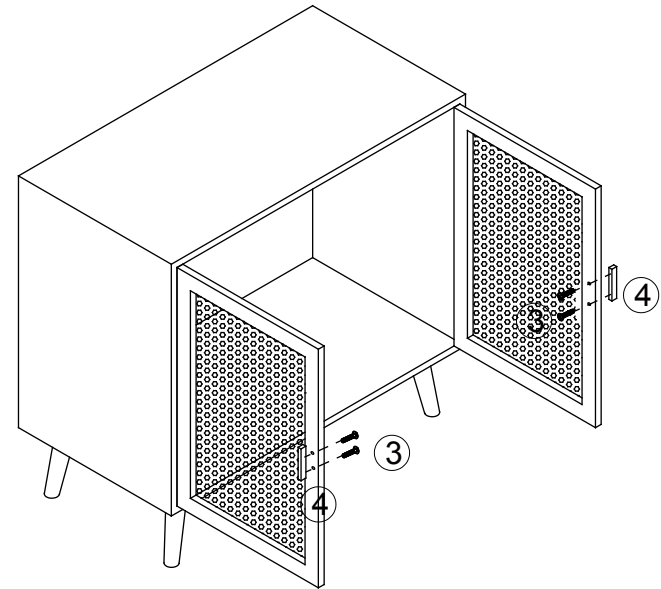
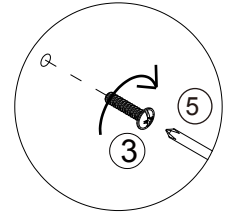
# ASSEMBLY INSTRUCTIONS



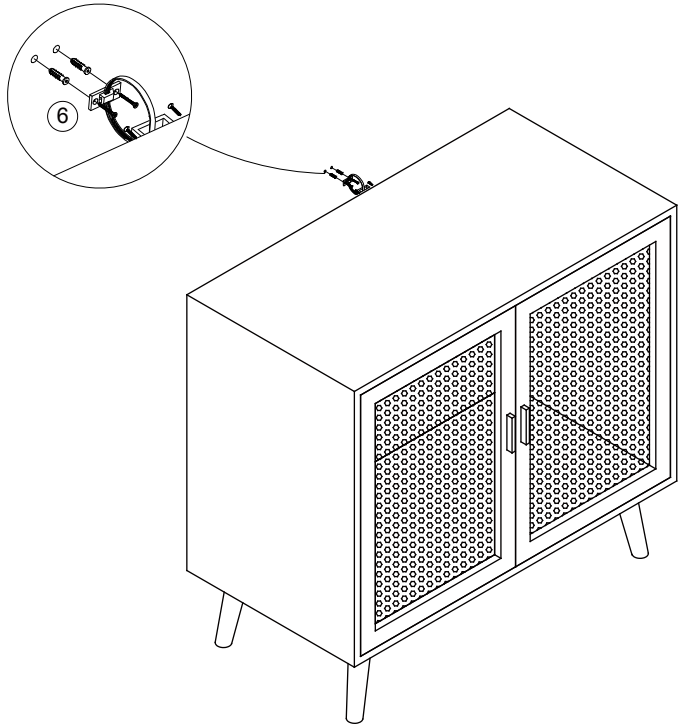
STEP 1, Attach the leg part B to the part A. Put the part A bottom upright as the picture show, Align the hole in the leg part B to the hole in part A, screw in and tighten the screw #1 by screwdriver #5 as the picture show.



Step 2, attach the part #2 on the bottom of leg as the picture show.



Step 3, Attach the puller #4 to the drawer in part A. Align the hole in the front board of drawer to the hole in puller #4, screw in and tighten the screw #3 by screwdriver.



Step 4, Install the anti-collapse set.  
Assembly completed